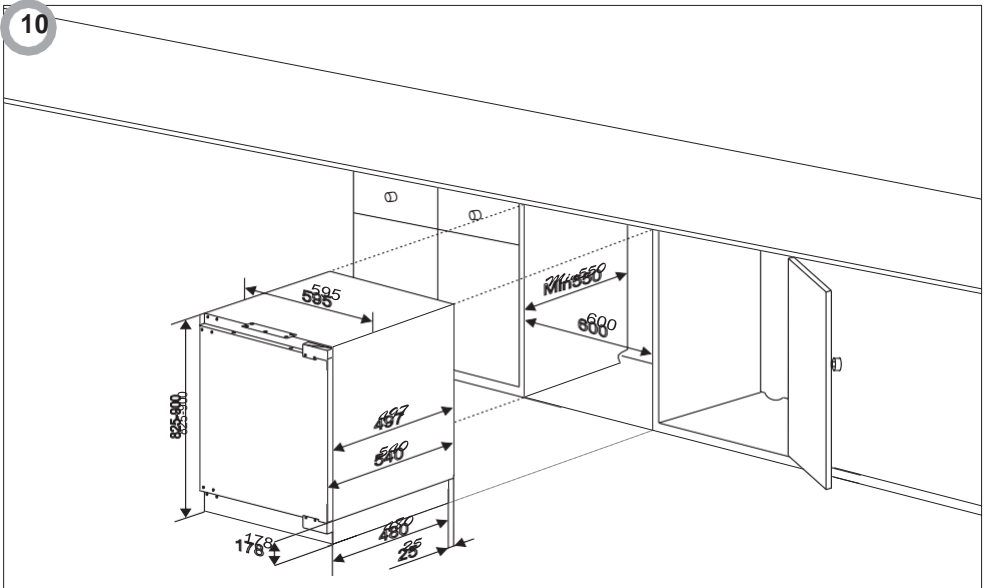
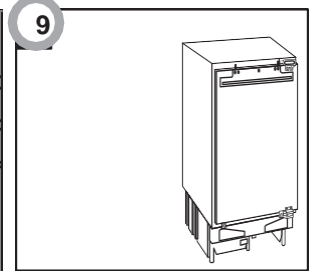
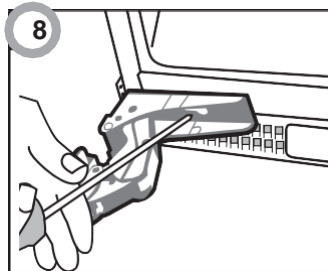
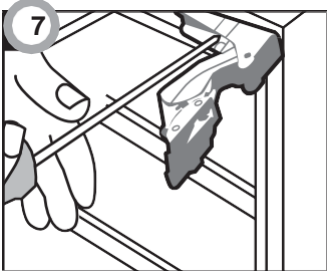
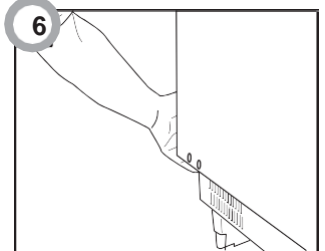
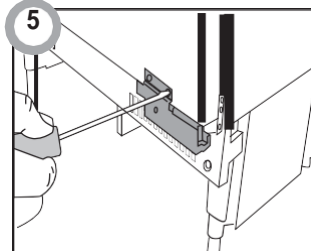
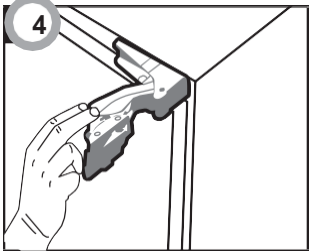
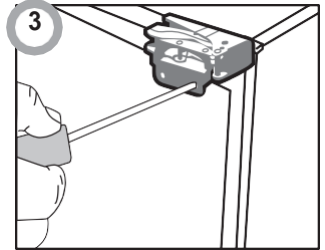
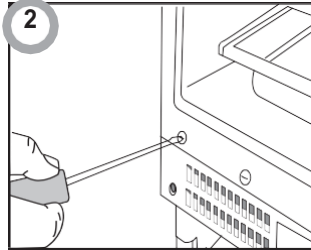
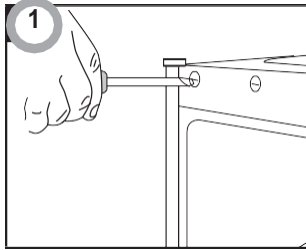
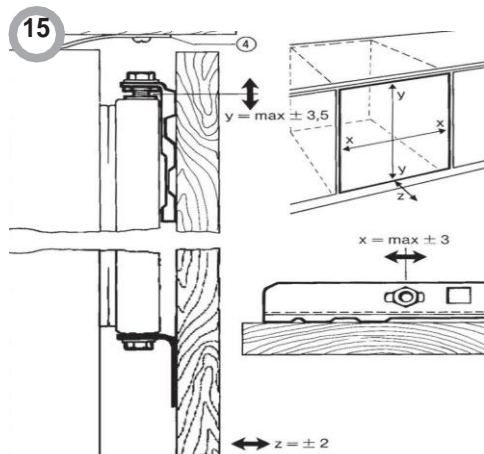
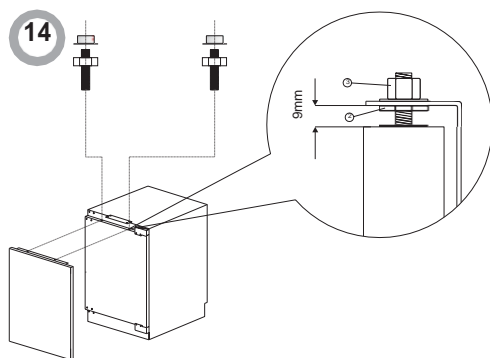
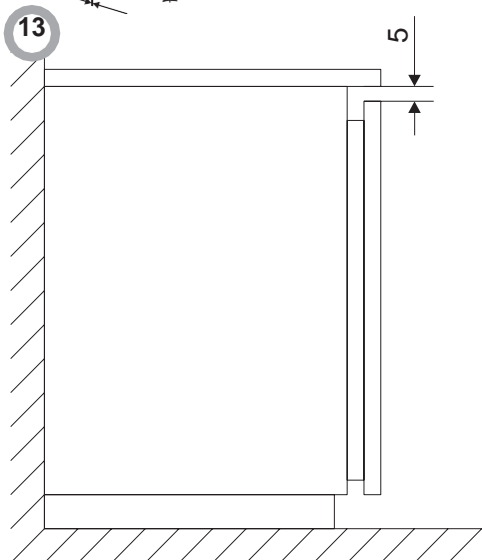
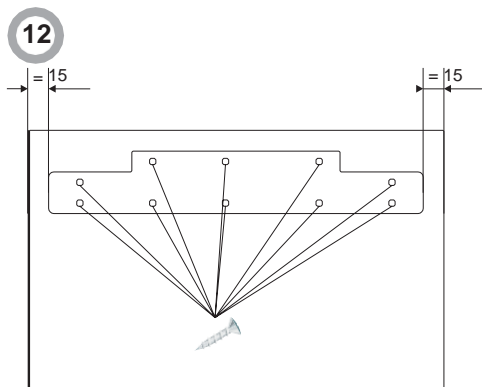
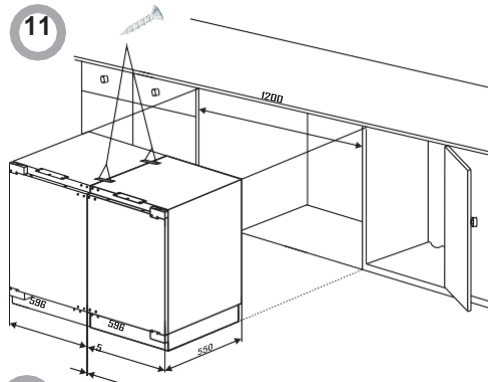


## CHANGING THE DIRECTION OF THE DOOR OPENING

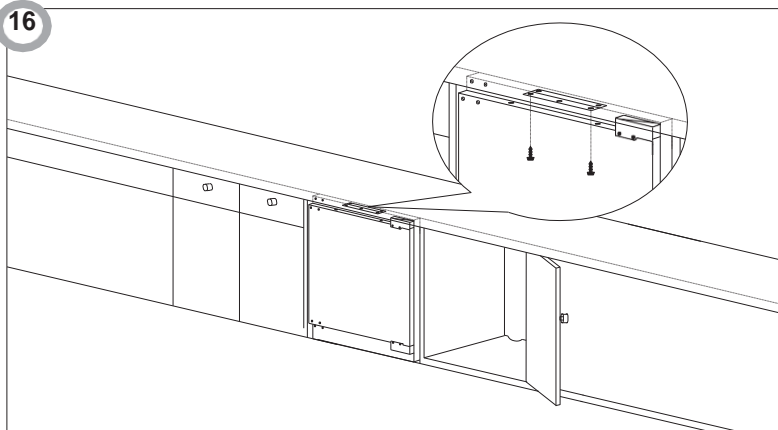


# CHANGING THE DIRECTION OF THE DOOR OPENING

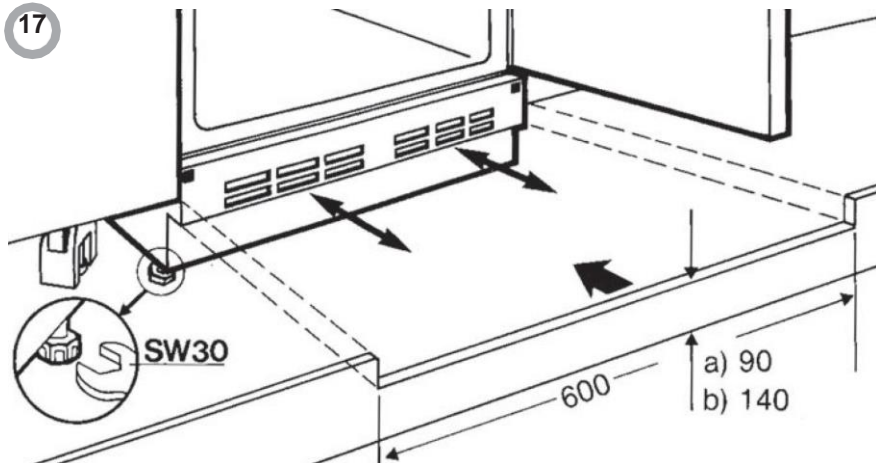


## CHANGING THE DIRECTION OF THE DOOR OPENING

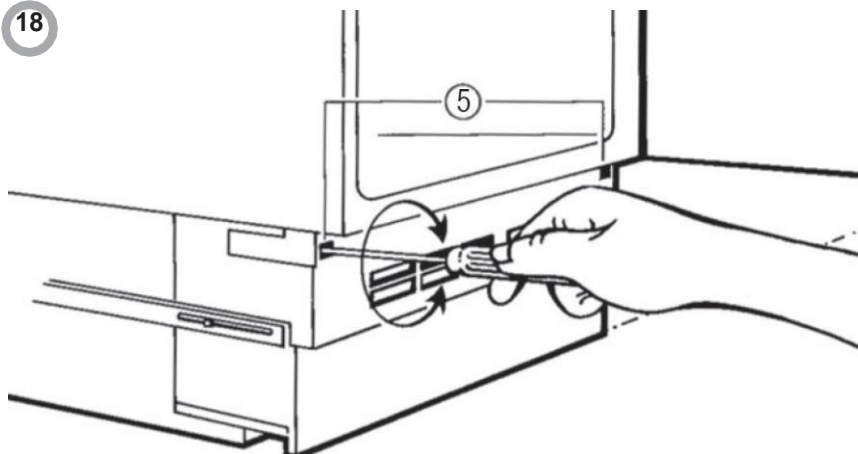
16



17



18



## CHANGING THE DIRECTION OF THE DOOR OPENING

Unplug the appliance before reversing the door opening direction.

1. Remove food from the appliance.
2. Remove caps on the front of the refrigerator body (Fig. 1, Fig 2).
3. Remove the two screws, which attach the upper hinge to the appliance door (Fig. 3). Take special care and hold the appliance door vertically.
4. Holding the door, swing the upper door hinge away from the door using the other hand (Fig. 4).



**Be especially careful during this step, as the hinge may close and cause injury.**

5. Remove the two screws, which attach the lower hinge to the appliance door (Fig. 5). Take special care and hold the appliance door with the other hand.
6. Holding the door, swing the lower door hinge away from the door using the other hand, then detach the door from the appliance body (Fig. 6).
7. Remove the two screws, which attach the upper hinge to the body and the two screws holding the lower hinge to the appliance body (Fig. 7).
8. Screw the upper and lower hinge on the opposite side of the appliance body using suitable screws (Fig. 8). Upper hinge should be mounted on the other side of the appliance as the lower hinge. The lower hinge should be mounted on the other side of the appliance as the upper hinge.  
With the hinges open, hold the door parallel to the appliance body and screw the hinges to the door using suitable screws while taking proper care.
9. Make sure that the door is properly aligned with the appliance body (Fig. 9).

## INSTALLATION OF THE APPLIANCE

Installation of the appliance should be performed by a qualified installer. The appliance should be placed in furniture case (Fig. 10). Once the appliance is placed correctly, adjust the height of the appliance by turning the 4 adjustable feet as appropriate. If necessary, adjacent appliances should be braced with a bracket fixed by screws and fitted in furniture (Fig. 11). There is a special strip at the top of the appliance. Attach it to the underside of the cabinet with appropriate screws supplied with the assembly kit (Fig. 16). Decorative strip must not block the vents located in the bottom casing unit, the strip must be cut to size (Fig. 17). The depth of the bottom casing unit can be adjusted by moving it forwards or backwards. Once properly adjusted, tighten the mounting screws (located in the openings on both sides of the casing unit) with a cross-head screwdriver. This will permanently attach the casing unit (Fig. 18).

## FITTING FURNITURE BOARD TO APPLIANCE DOOR

Place the mounting bracket on furniture board and position it accordingly (Fig. 12). The distance between the furniture board and the underside of the worktop should be 5 mm (Fig. 13). Attach the mounting bracket using suitable screws supplied in the installation kit. Pull out the mounting bracket cover and screw in the two special screws (2) in the appliance doors (Fig. 14). Attach furniture board with the fixed mounting bracket to the appliance door. Secure the furniture board with suitable nuts (item 3, Figure 14). Make sure the furniture board assembly is positioned correctly relative to the appliance (Fig. 15). Using the supplied screws, attach the furniture board assembly to the bottom of the appliance door (Fig. 15). Replace the mounting bracket cover in its original location.



